

## Digital cylinder with 22 mm round profile

### Kaba digital cylinder

#### Description

The digital locking cylinder is fitted with a Mifare reader antenna on the external knob. The security-relevant electronics are installed behind the anti-drill protection in the rotor. The purely mechanical internal knob firmly engages with the lock cam.



#### Product numbers

##### **1535MID/options**

Kaba digital cylinder, round profile, Mifare, battery in outer side

#### Scope of supply

- 1 digital cylinder
- 1 battery, type CR2
- 1 forend screw (M5 x 75 mm)
- 1 quick reference guide

#### Accessories

- 1 service tool, 1430-25 (to order separat)

#### Versions

- Round profile cylinder to DIN EN 1303
- Cylinder body, matt nickel-plated brass
- Plastic antenna covers, black
- Plastic illumination unit, red/green
- Knobs in different finishes (see Order options)
- Without internal knob and freely rotating cam (see Order options)
- Option protected (VdS Class BZ)

## Digital cylinder with 22 mm round profile

---

### Order options

<b>Options</b>		
Line (LINE)		
<b>e300</b>		
Cylinder lengths (LD)		
<b>LA</b>	External length	Both lengths from 30 mm to max. 110 mm in 5 mm steps. (Maximum total length 140 mm, minimum length 60 mm.)
<b>LB</b>	Internal length	
Finishes for internal and external knobs (CO)		
<b>IN</b>	nickel-plated, stainless-steel look	
<b>MPVD</b>	brass, polished	
<b>IX</b>	INOX 1.4404, corrosion-resistant	
<b>BR</b>	aeruginous, bronze look (on request)	
<b>CR</b>	polished chrome-plated (on request)	
<b>SW</b>	black (on request)	
Certifications (CE)		
<b>ST</b>	<b>Standard version*</b>	
<b>PT</b>	protected, VdS certified	
Internal knob (IK)		
<b>SK</b>	<b>With internal knob*</b>	
<b>NK</b>	Without internal knob (blind plug)	
Cam (CM)		
<b>NS</b>	<b>Cam*</b>	
<b>ML</b>	Cam for multilock locks (z=10, m=2)	
Packaging (PA)		
<b>EP</b>	<b>Individual package*</b>	
<b>MP</b>	Multi-package	

Key:

\* **Standard**

### Order example

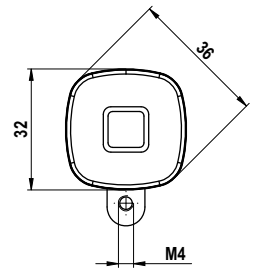
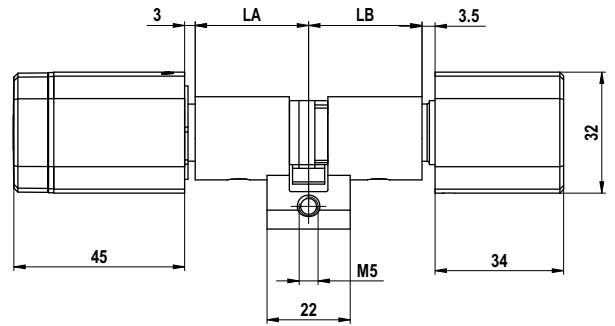
Product no. / options

1535MID/35/35/IN/ST/SK/NS/MP

- Kaba digital cylinder, Mifare
- Line: e300
- External length: 35 mm
- Internal length: 35 mm
- Finishes: nickel-plated, stainless-steel look
- Certifications: standard version
- Internal knob: with internal knob
- Cam: cam
- Packaging: multi-package

**Technical specifications**

Dimensions		
Knob	external	d36 x 45 mm
	internal	d36 x 34 mm
Backset	external	35 mm
	internal	30 mm
Power supply		
Battery	3 V, CR2 lithium	
Environmental requirements		
Protection class	IP55	
Temperature	external	TBD
	internal	TBD
Humidity	0 - 95 %rH, not condensing	
Corrosion	DIN EN 1670 Class 3	
Battery service life	approx. 35'000 cycles*	
	approx. 50'000 cycles**	
Certificate	Version protected: VdS Class BZ: Fire door assemblies to EN 1634-1: T90	
Durability	EN 1303 Class 6 >130'000 cycles	



Key:

\* with acoustic signal

\*\* without acoustic signal

### Kaba half digital cylinder

#### Description

The digital locking cylinder is fitted with a Mifare reader antenna on the turning knob. The security-relevant electronics are installed behind the anti-drill protection in the rotor.



#### Product numbers

##### **1534MID/options**

Kaba half digital cylinder, round profile, Mifare

#### Scope of supply

- 1 digital cylinder
- 1 battery, type CR2
- 1 forend screw (M5 x 75 mm)
- 1 quick reference guide

#### Accessories

- 1 service tool, 1430-25 (to order separat)

#### Versions

- Round profile cylinder to DIN EN 1303
- Cylinder body, matt nickel-plated brass
- Plastic antenna covers, black
- Plastic illumination unit, red/green
- Knobs in different finishes (see Order options)
- Knobs in different finishes (see Order options)
- Option protected (VdS Class BZ)

Preliminary

**Order options**

<b>Options</b>		
Line (LINE)		
<b>e300</b>		
Cylinder lengths (LD)		
<b>LA</b>	External length	Lengths from 30 mm to max. 65 mm in 5 mm steps.
Finishes for internal and external knobs (CO)		
<b>IN</b>	nickel-plated, stainless-steel look	
<b>MPVD</b>	brass, polished	
<b>IX</b>	INOX 1.4404, corrosion-resistant	
<b>BR</b>	aeruginous, bronze look (on request)	
<b>CR</b>	polished chrome-plated (on request)	
<b>SW</b>	black (on request)	
Certifications (CE)		
<b>ST</b>	<b>Standard version*</b>	
<b>PT</b>	protected, VdS certified	
Cam (CM)		
<b>NS</b>	<b>Cam*</b>	
<b>ML</b>	Cam for multilock locks (z=10, m=2)	
Packaging (PA)		
<b>EP</b>	<b>Individual package*</b>	
<b>MP</b>	Multi-package	

Key:

\* **Standard**

**Order example**

Product no. / options

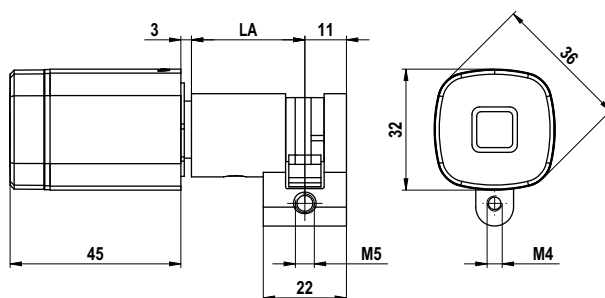
1534MID/65/IN/ST/NS/MP

- Kaba half digital cylinder, Mifare
- Line: e300
- External length: 35 mm
- Finishes: nickel-plated, stainless-steel look
- Certifications: standard version
- Cam: cam
- Packaging: multi-package

## Digital cylinder with 22 mm round profile

### Technical specifications

Dimensions		
Knob	external	d36 x 45 mm
Backset	external	35 mm
Power supply		
Battery	3 V, CR2 lithium	
Environmental requirements		
Protection class	IP55	
Temperature	TBD	
Humidity	0 - 95 %rH, not condensing	
Corrosion	DIN EN 1670 Class 3	
Battery service life	approx. 35'000 cycles* approx. 50'000 cycles**	
Certificate	Version protected: VdS Class BZ: Fire door assemblies to EN 1634-1: T90	
Durability	EN 1303 Class 6 >130'000 cycles	



Key:

\* with acoustic signal

\*\* without acoustic signal

Preliminary

## Kaba dual digital cylinder

### Description

The digital locking cylinder is fitted with a Mifare reader antenna on the external and internal knobs. The security-relevant electronics are installed behind the anti-drill protection in the rotor. The external and internal knobs can be different versions to authorization programmed.



### Product numbers

#### **1539MID/options**

Kaba dual digital cylinder, round profile, Mifare

### Scope of supply

- 1 digital cylinder
- 1 battery, type CR2
- 1 forend screw (M5 x 75 mm)
- 1 quick reference guide

### Accessories

- 1 service tool, 1430-25 (to order separat)

### Versions

- Round profile cylinder to DIN EN 1303
- Cylinder body, matt nickel-plated brass
- Plastic antenna covers, black
- Plastic illumination unit, red/green
- Knobs in different finishes (see Order options)
- Battery in the external and internal knobs
- Option protected (VdS Class BZ)

Preliminary

## Digital cylinder with 22 mm round profile

---

### Order options

<b>Options</b>		
Line (LINE)		
<b>e300</b>		
Cylinder lengths (LD)		
<b>LA</b>	External length	Both lengths from 30 mm to max. 110 mm in 5 mm steps. (Maximum total length 140 mm, minimum length <b>80</b> mm.)
<b>LB</b>	Internal length	
Finishes for internal and external knobs (CO)		
<b>IN</b>	nickel-plated, stainless-steel look	
<b>MPVD</b>	brass, polished	
<b>IX</b>	INOX 1.4404, corrosion-resistant	
<b>BR</b>	aeruginous, bronze look (on request)	
<b>CR</b>	polished chrome-plated (on request)	
<b>SW</b>	black (on request)	
Certifications (CE)		
<b>ST</b>	<b>Standard version*</b>	
<b>PT</b>	protected, VdS certified	
Cam (CM)		
<b>NS</b>	<b>Cam*</b>	
<b>ML</b>	Cam for multilock locks	
Packaging (PA)		
<b>EP</b>	<b>Individual package*</b>	
<b>MP</b>	Multi-package	

Key:

\* **Standard**

### Order example

Product no. / options

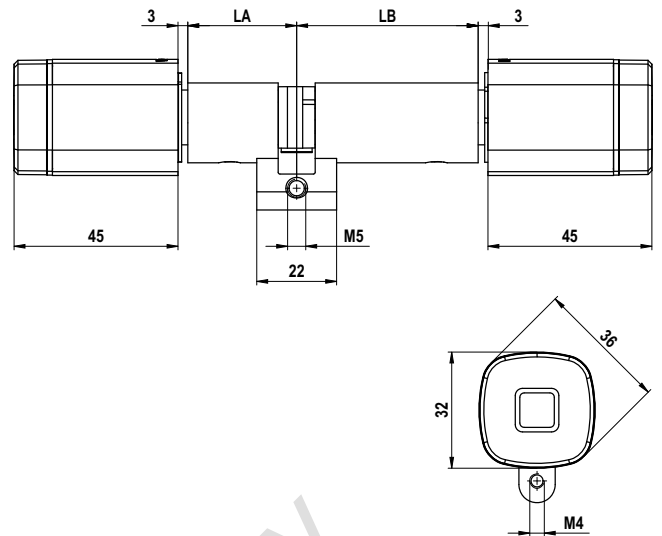
1539MID/35/65/IN/ST/NS/MP

- Kaba dual digital cylinder, Mifare
- Line: e300
- External length: 35 mm
- Internal length: 65 mm
- Finishes: nickel-plated, stainless-steel look
- Certifications: standard version
- Cam: cam
- Packaging: multi-package



**Technical specifications**

Dimensions		
Knob	external	d36 x 45 mm
	internal	d36 x 45 mm
Backset	external	35 mm
	internal	35 mm
Power supply		
Battery	3 V, CR2 lithium	
Environmental requirements		
Protection class	IP55	
Temperature	external	TBD
	internal	TBD
Humidity	0 - 95 %rH, not condensing	
Corrosion	DIN EN 1670 Class 3	
Battery service life	approx. 35'000 cycles*	
	approx. 50'000 cycles**	
Certificate	Version protected: VdS Class BZ:	
Durability	EN 1303 Class 6 >130'000 cycles	



Key:

\* with acoustic signal

\*\* without acoustic signal

Preliminary

## Kaba digital cylinder

### Product numbers

**1430-25**

Service tool for digital cylinder

